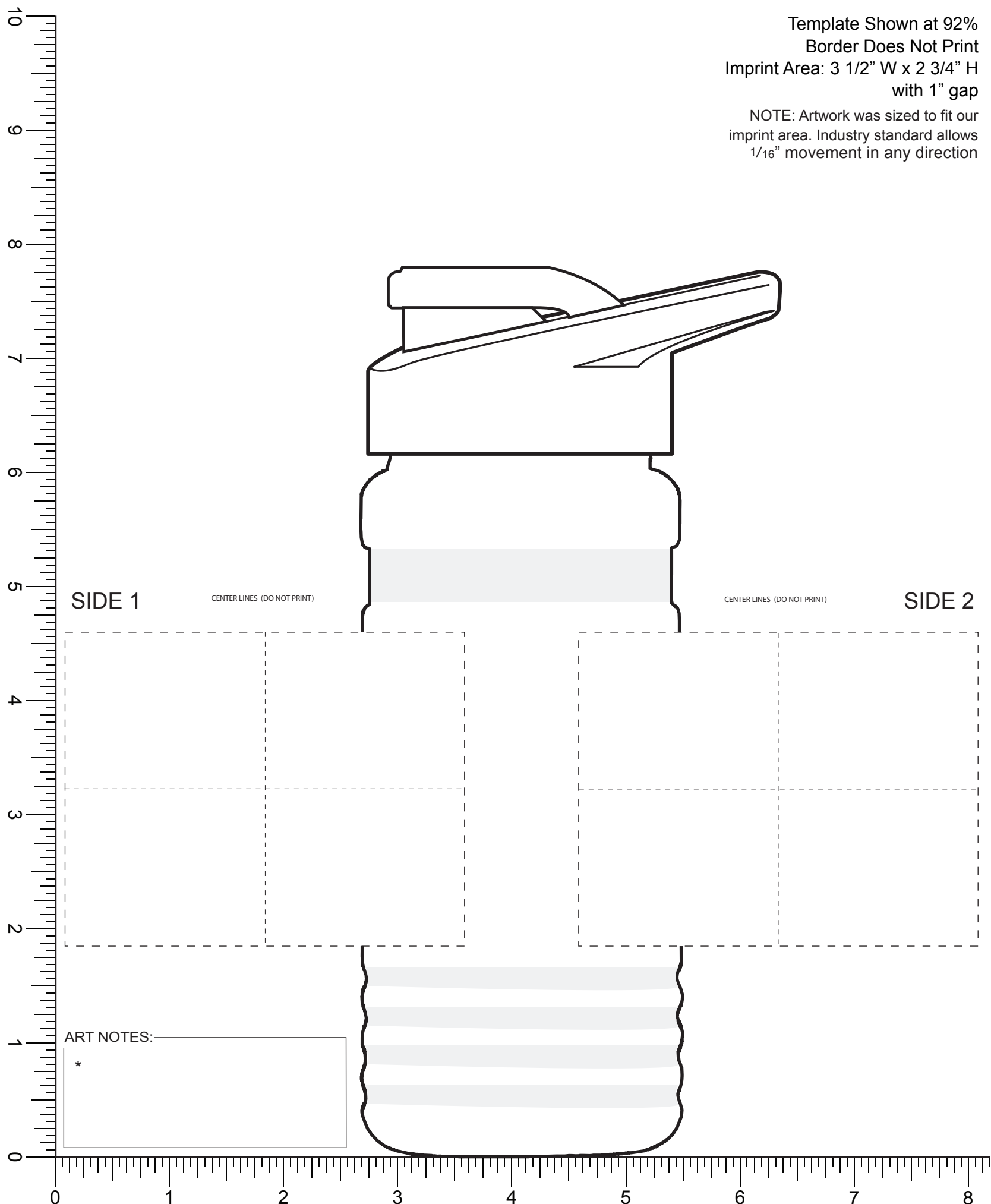


20oz. Recycled PETE Bottle w/ Drink Thru Lid

Template Shown at 92%
Border Does Not Print
Imprint Area: 3 1/2" W x 2 3/4" H
with 1" gap

NOTE: Artwork was sized to fit our
imprint area. Industry standard allows
1/16" movement in any direction



SIDE 1

CENTER LINES (DO NOT PRINT)

CENTER LINES (DO NOT PRINT)

SIDE 2

ART NOTES:

*